



PO Box 10
Kanawha, IA 50447

888-254-3337
www.kiefermfg.com

A2G Deluxe II GN Combo 7'x6'6"x24'

Standard Features:

- All Wheel Electric Brakes
- Aluminum Extruded Fenders
- Aluminum Extruded Interlocking Floor with Traction Ribs and Integrated Cross-members
- Center Divider Gate w/Walk-thru Gate w/Sam Latch
- DOT Approved Lighting
- Enclosed Wiring
- Escape Door (drivers side)
- LED Lighting: All Exterior Marker & Stop/Turn/Tail
- Lights: Rubber Mounted - Sealed in Rear Frame
- Radial Tires on Silver Modular Wheels w/Stainless Steel Centers
- Rear Gate: Full-Swing 1/2 Slide w/2" Rubber Rollers and Nylon Pads w/ Slam Latch
- Heavy-Duty Rubber Bumper
- Side Uprights 1"x3" Aluminum Tubes 16" to 21" On Center
- Square Tube Rear Frame: 4"x4" Exclusive Design
- Standard Height: 6' 6"
- Torsion Axles
- Tapered Nose: 5' Width
- Air Flow Openings: (2) at Top of Trailer Sidewall (#2 Sides)

Your Local Kiefer Dealer



A2G Deluxe II Combo: 7'x6'6"x24' w/Optional Aluminum Rims

Benefits:

Aluminum Interlocking Flooring with Integrated Cross-member every 4-1/2 inches
Simply the strongest Floor available

Double headers over every interior Gate:
More Center Gate support and longer Gate life.

4" x 4" Square Tube Superstructure:
Strong Rear Door Frame with Large Cast Corners that disperse Stress away from Corners.

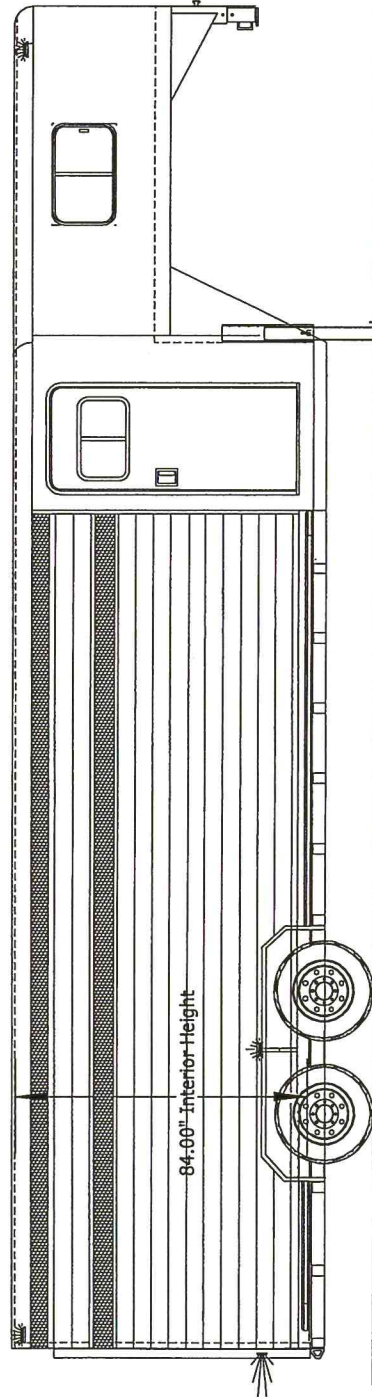
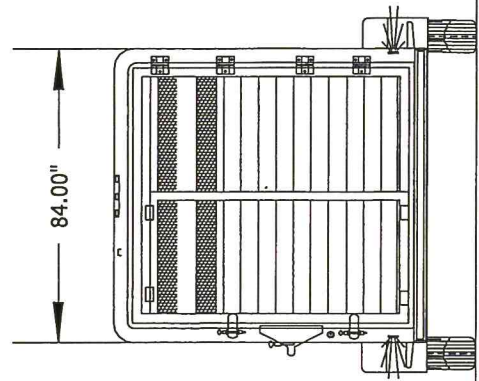
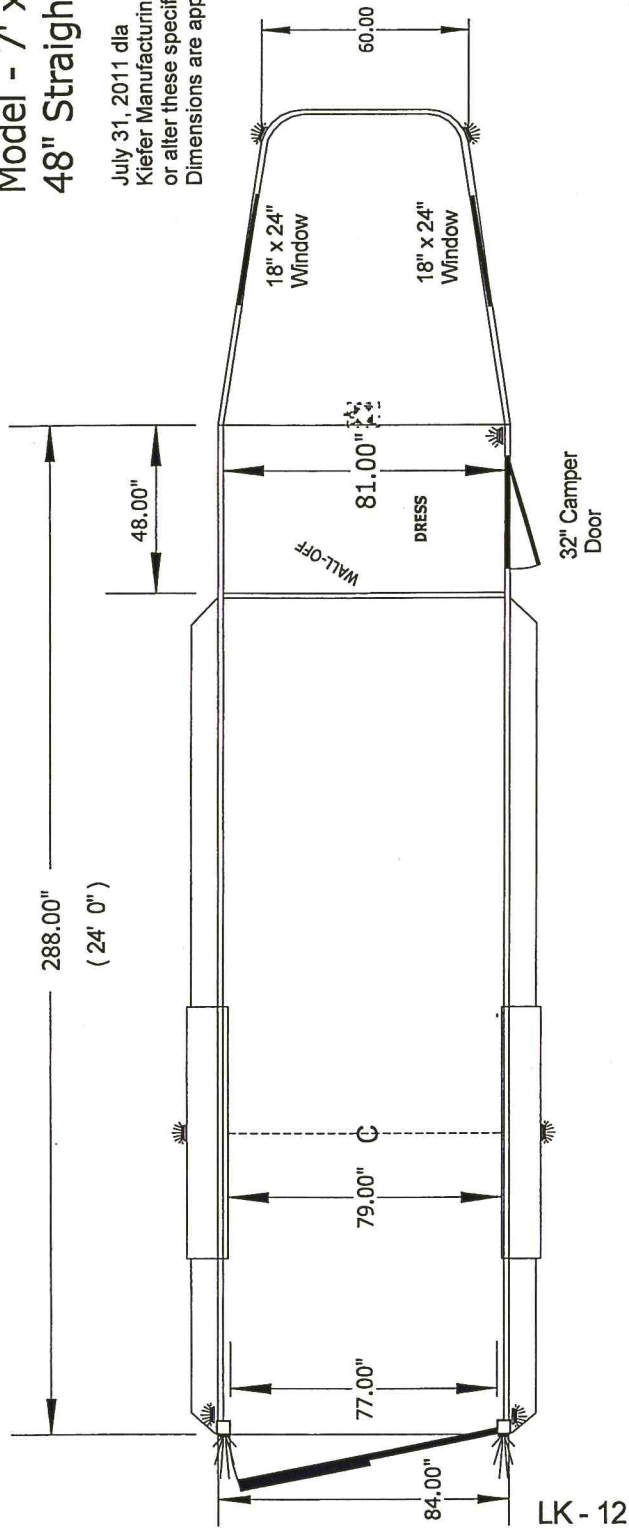
Side Uprights Extending Past the Floor:
Trailer is not reliant on welds only at Floor Joint for Wall Strength.

Quick Slam Latches:
Quick close feature allows you to close Doors and Gates quickly and alleviate the worry of Livestock getting past the Gates.

And More...Check One out Today!

Deluxe II Combo
Gooseneck - Side View
Model - 7' x 7' x 24'
48" Straight Wall

July 31, 2011 dla
 Kiefer Manufacturing reserves the right to change
 or alter these specifications without notice.
 Dimensions are approximate and may vary.

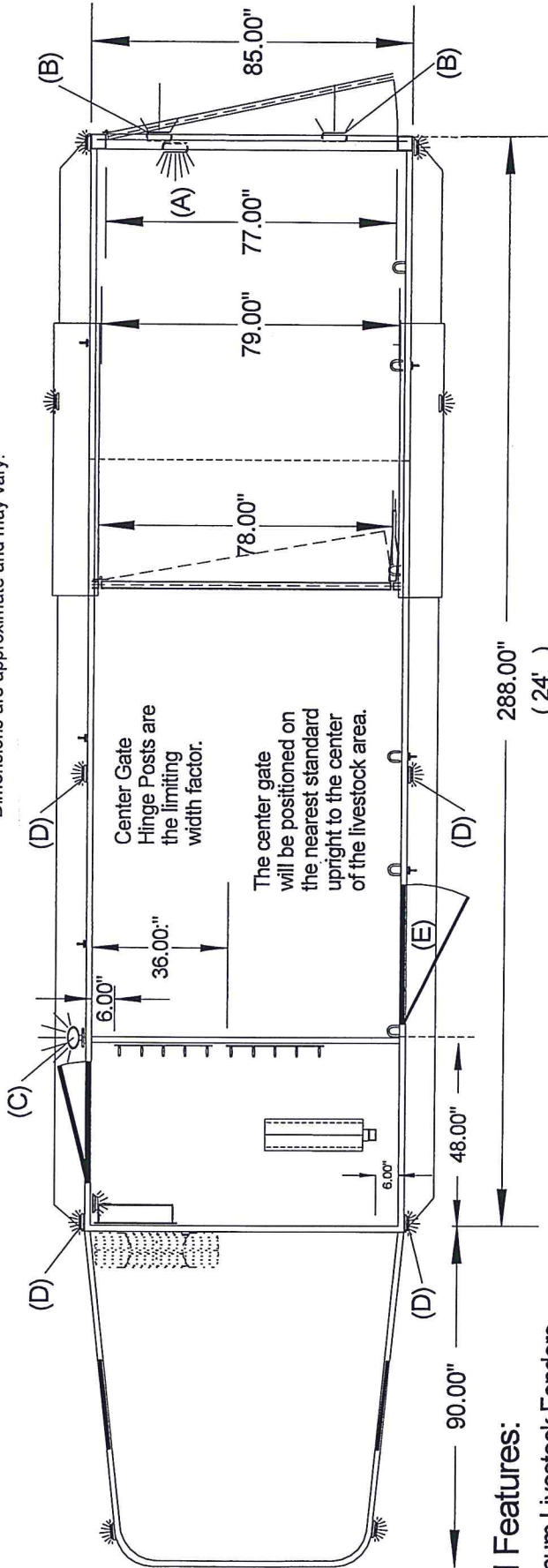


Deluxe 2 "COWBOY" Package

Model - 7 ft. wide 24 ft Shown

6' 6" High 7' Wide Package - 804.019
 7' High 7' Wide Package - 804.020

July 31, 2011 dla
 Kiefer Manufacturing reserves the right to change
 or alter these specifications without notice.
 Dimensions are approximate and may vary.



Standard Features:

- Aluminum Livestock Fenders
- Delete Calf Gate
- Dome Light above Camper Door - Inside (1) as shown
- Carpet on G/N Pan and Drop Down
- Brush Box (mounted on G/N Wall 12 inches above floor inside camper door)
- Dakota Light in Rear area above rear door (A)
- Recessed Load lights with toggle switch (B)
- Load Light by Camper Door (C)
- (2) sets extra clearance lights (D)
- 37" Escape Door Driver Side (E)
- (12) Tie Loops (6 - Inside DS, 3 - each side Outside)
- Rubber Mats (including dressing room and horse area)

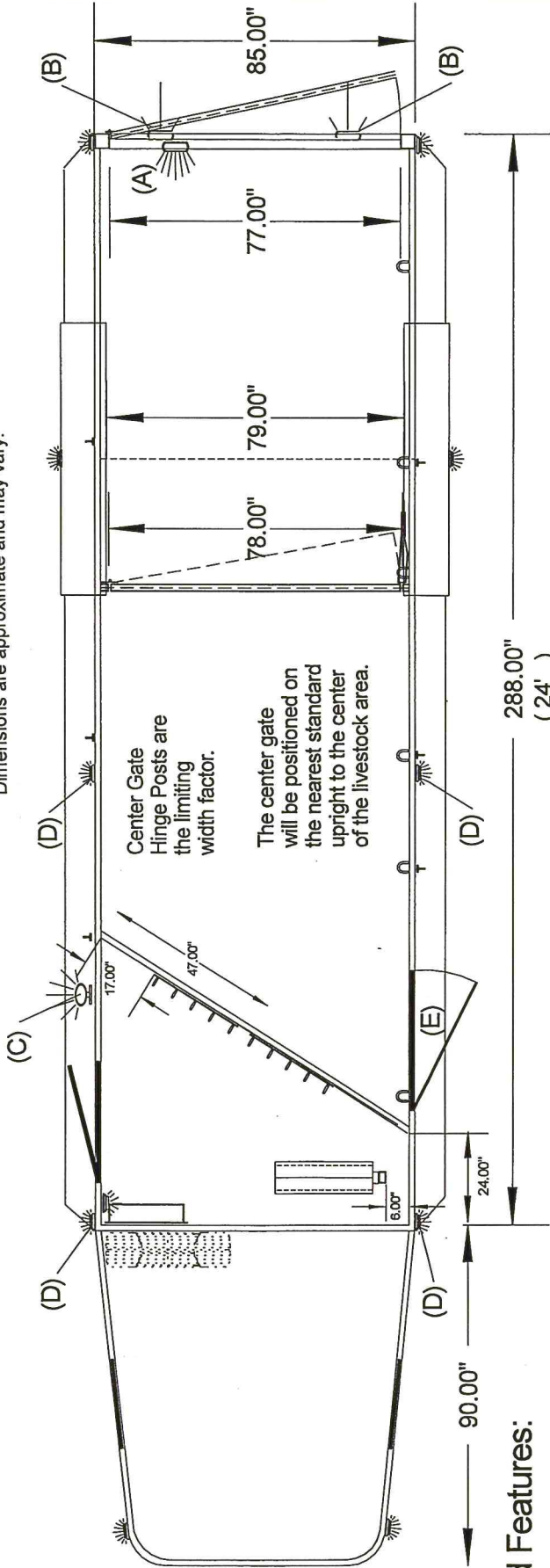
- Enclosed Front of Wall Off - Smooth
- Permanent Aluminum Wall Off located 4 Ft. Straight Access
- Premium Camper Door w/Screen (32" x 72" on 7' Tall) (Passenger Side)
- (32" x 70" on 6' 6" Tall) (Passenger Side)
- Windows in Gooseneck Sidewall 18" x 24"
- Complete Spare (Tire and Wheel)
- 4 Stack Post Saddle Rack in Dressing Room Centered on Driver Side
- (2) Sets Aluminum (5) Hook Bridle Rack mounted in line 72" above floor
- First Bridle Rack begins 6 inches from passenger wall, second
- Bridle Rack begins 36 inches from passenger wall.

Deluxe 2 "RANCHER" Package

Model - 7 ft. wide 24 ft Shown

6' 6" High 7' Wide Package - 804.029
 7' High 7' Wide Package - 804.030

July 31, 2011 dia
 Kiefer Manufacturing reserves the right to change
 or alter these specifications without notice.
 Dimensions are approximate and may vary.



Standard Features:

- Aluminum Livestock Fenders
- Delete Calf Gate
- Dome Light above Camper Door - Inside (1) as shown
- Carpet on G/N Pan and Drop Down
- Brush Box (mounted on G/N Wall 12 inches above floor inside camper door)
- Dakota Light in Rear area above rear door (A)
- Recessed Load lights with toggle switch (B)
- Load Light by Camper Door (C)
- (2) sets extra clearance lights (D)
- 37" Escape Door Driver Side (E)
- (12) Tie Loops (6 - Inside DS, 3 - each side Outside)
- Rubber Mats (including dressing room and horse area)

- Enclosed Front of Wall Off - Smooth
- Permanent Aluminum Wall Off 2 Ft. Slant (24" SW, 76" LW)
- Premium Camper Door w/Screen (32" x 72" on 7" Tall) (Passenger Side) (32" x 70" on 6' 6" Tall)(Passenger Side)
- Windows in Gooseneck Sidewall 18" x 24"
- Complete Spare (Tire and Wheel)
- 4 Stack Post Saddle Rack in Dressing Room Centered on Driver Side 10 inches from Driver Side wall
- (2) Sets Aluminum (5) Hook Bridle Rack mounted in line 72" above floor
- First Bridle Rack begins 17 inches from passenger wall, second Bridle Rack begins 47 inches from passenger wall.